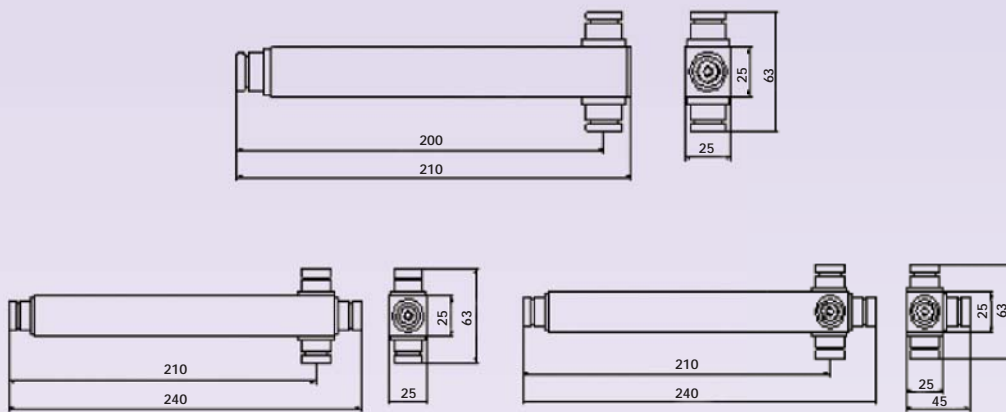


POWER SPLITTER



::: Specification :::

| Mechanical Specification | | Electrical Specification | |
|-------------------------------|-----------------------------------|--------------------------|----------------------|
| Material | | Freq | 800~2500MHz |
| Inner Conductor | Beryllium Copper or Spring Bronze | VSWR Input(all ports) | ≤ 1.20 |
| Other Metal Parts (Housing) | Alumimum | Isolation | ≥ 22 |
| Plating | | PIM | -140dBc, 2x43dBm |
| Inner Conductor | Silver Plated | Input Power | 200Watt |
| Outrer Conductor | Nickel Plated | Impadence | 50 ohm(s) / Norminal |
| Other Metal Parts | --- Plated | | |
| Physical Specification | | | |
| Operating Temperature | -35°C ~ +55°C | | |
| Connector Input | N Female | | |
| Connector Output | N Female | | |
| Dimension | | | |



| Splitter Type | Distributin Loss | Inband Ripple | Weight (g) |
|---------------|------------------|---------------|------------|
| 2 way | 3.0 | <= +0.25dB | 455 |
| 3 way | 4.8 | <= +0.30dB | 510 |
| 4 way | 6.0 | <= +0.40dB | 550 |

::: Ordering Information :::

| Part Number | Description |
|-------------------|----------------------|
| LTGF-08/25-02-200 | 2 Way Power Splitter |
| LTGF-08/25-03-200 | 3 Way Power Splitter |
| LTGF-08/25-04-200 | 4 Way Power Splitter |